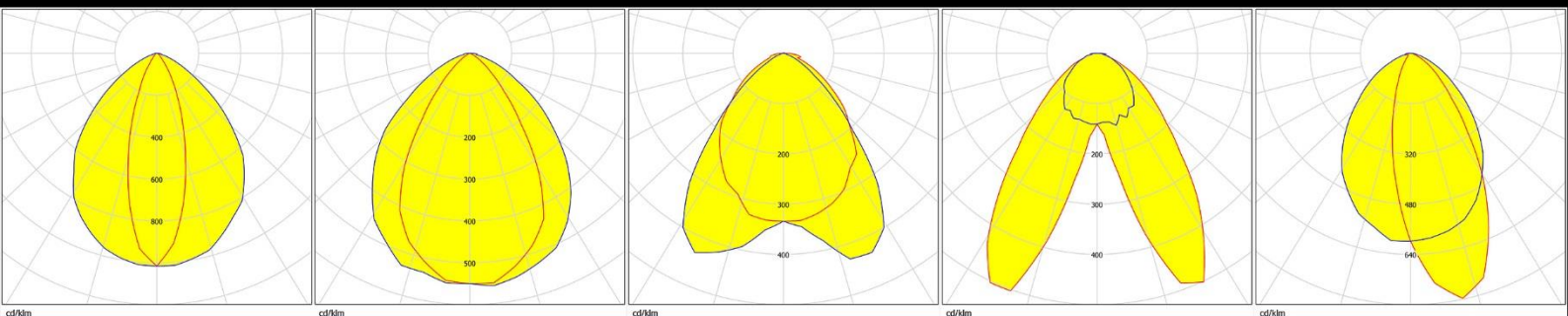
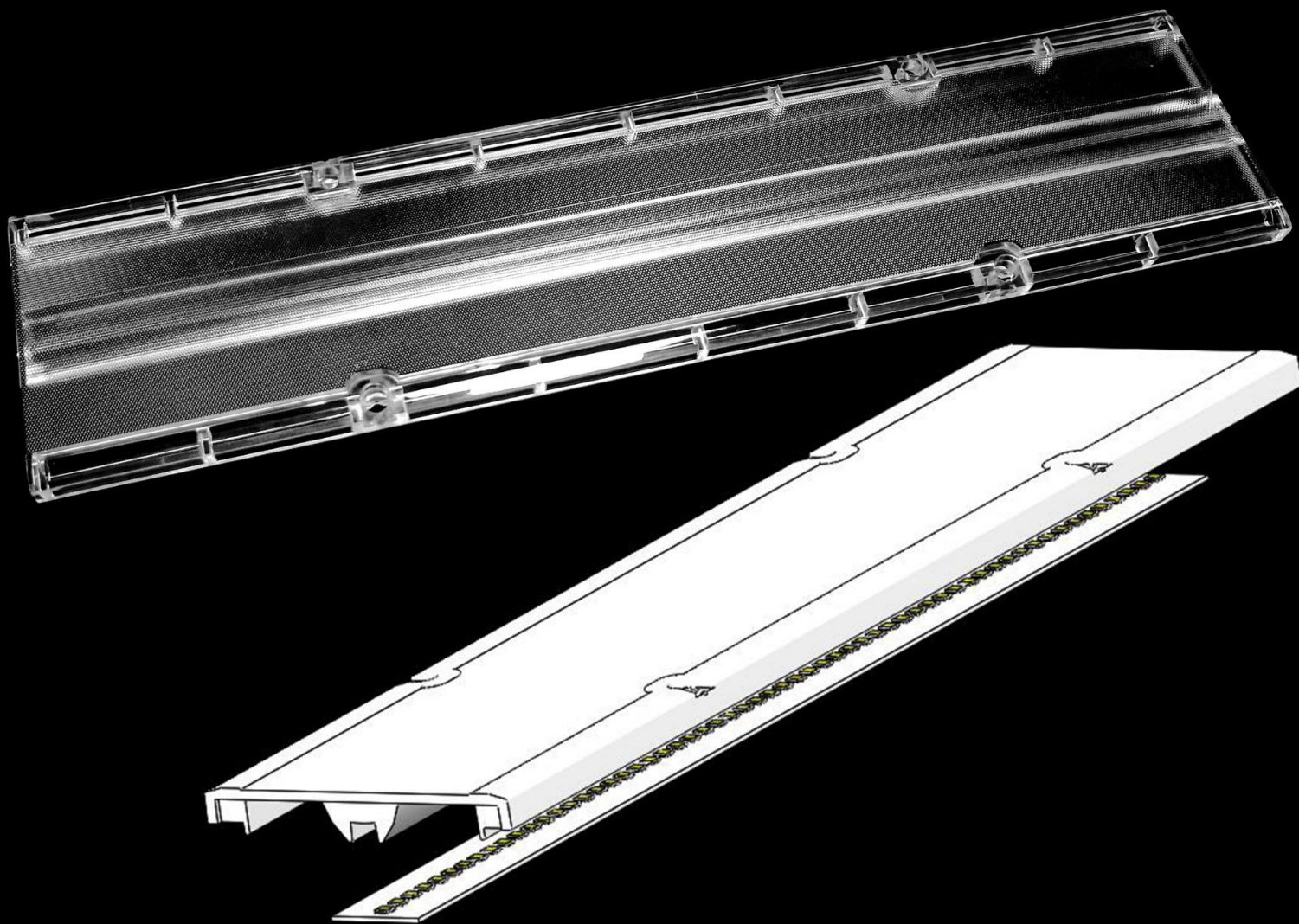


Data Sheet

HH-110-xx-SS2835



深圳市汉辉光电有限公司
shenzhen hanhui photoelectric co.,Ltd.

地址：深圳市宝安区石岩街道石龙仔社区恒昌荣高科技科技园3栋3楼
ADD: Area A No.3 Building 3th Floor,Hengchang Rong Industrial
park shiyan,shilong community,Bao'an District,shenzhen,china
TEL:86-755-29232420 FAX:86-755-83723765
<http://www.szhanhui.com> <http://linsen4880.1688.com>



Data Sheet

catalogue

| | | |
|---------------------------|-------|-------|
| General Information | | P.1 |
| Optical Specifications | | P.2-3 |
| Mechanical Specifications | | P.4 |
| Package Specifications | | P.5 |

*Product Nomenclature

HH-110-xx-SS2835

H1 H2 H3 H4 H5

H1: The company's initials in Pinyin (Han Hui)

H2: Mold number

H3: Lens angle/type (ex: 60、90、T2M、T3M)

H4: LED type (ex: CREE-CR、SAMSUNG-SS、PHILIPS-PH.....)

H5: LED size (ex:2835、3030、3535、.....)



HH-110-xx-SS2835

General Information

v1.0_20181112

◆ Features & Typical Applications

- Available with 5 beam angles
- High efficiency
- optimized Uniformity
- Lens without Holder
- Office Lighting
- Warehouse Lighting

◆ Material Information

Lens Material: PC 1225Z

Operating Temperature range $-40^{\circ}\text{C} \sim +110^{\circ}\text{C}$ (upper limit $+120^{\circ}\text{C}$).

Storage Temperature range $-40^{\circ}\text{C} \sim +110^{\circ}\text{C}$ (upper limit $+120^{\circ}\text{C}$).

*Average transmittance in visible spectrum $400\text{nm} \sim 700\text{nm} > 90\%$.

◆ Usage and Maintenance

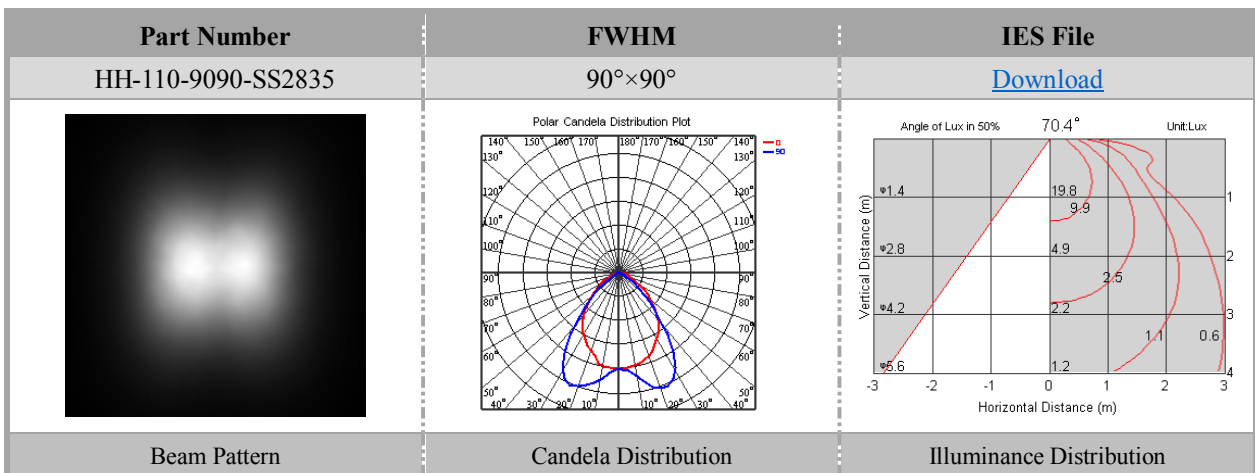
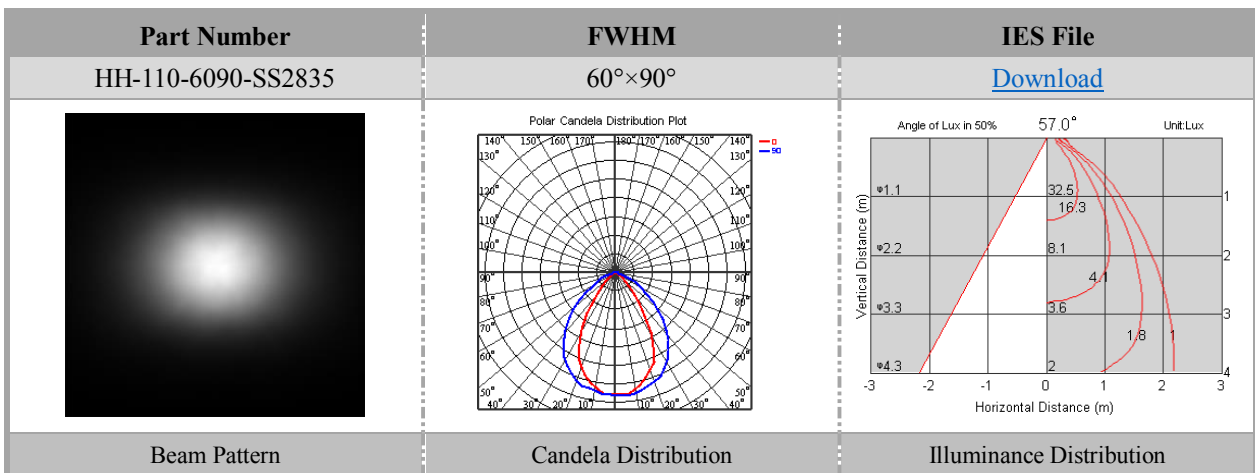
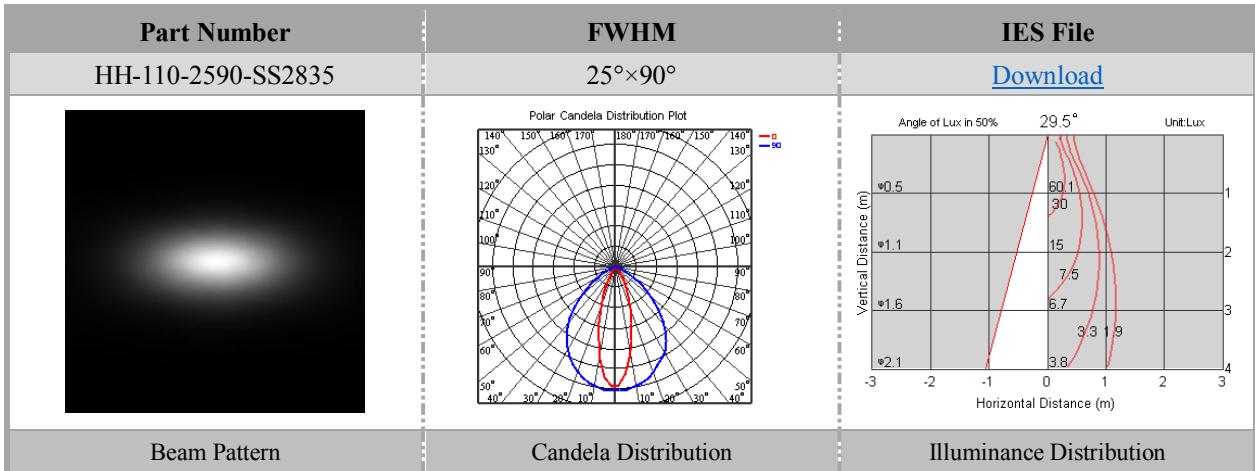
1. If necessary, clean lenses with mild soap, water and soft cloth.
2. Never use any commercial cleaning solvents on lenses, like alcohol.
3. Please handle or install lenses with wearing gloves, skin oils may damage lens or its optical characteristic.



HH-110-xx-SS2835

Optical Specifications

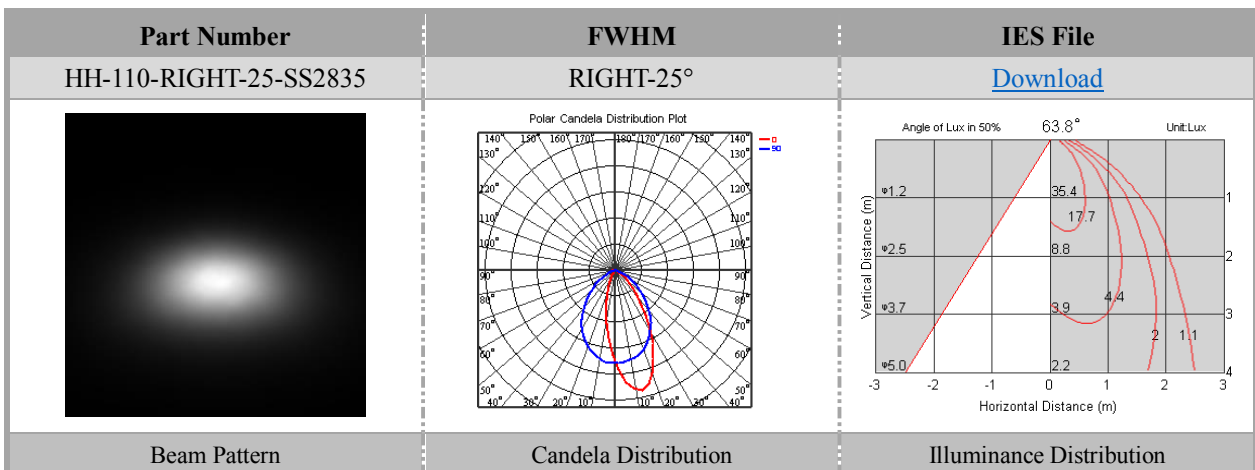
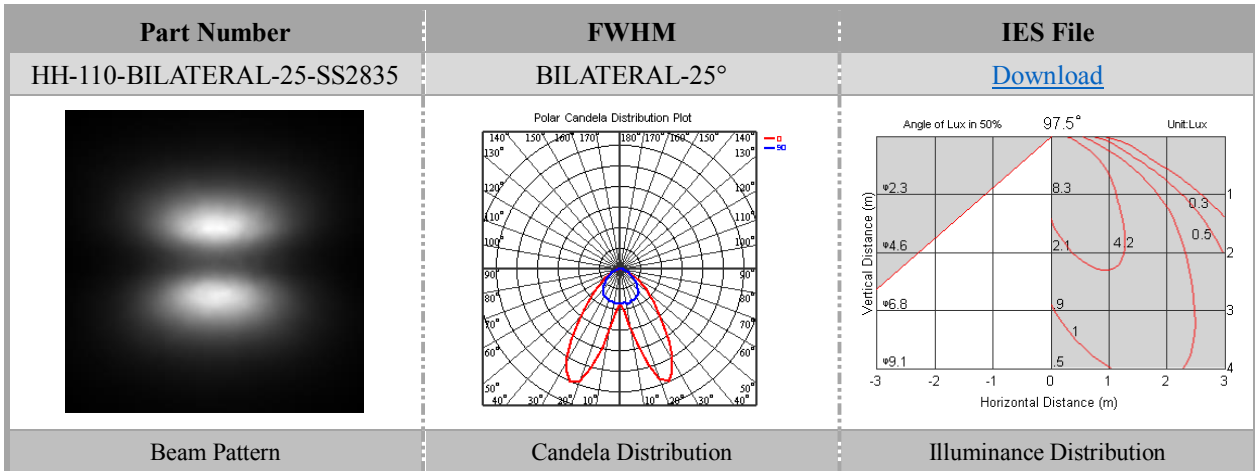
v1.0_20181112



HH-110-xx-SS2835

Optical Specifications

v1.0_20181112



HH-110-xx-SS2835

Mechanical Specification

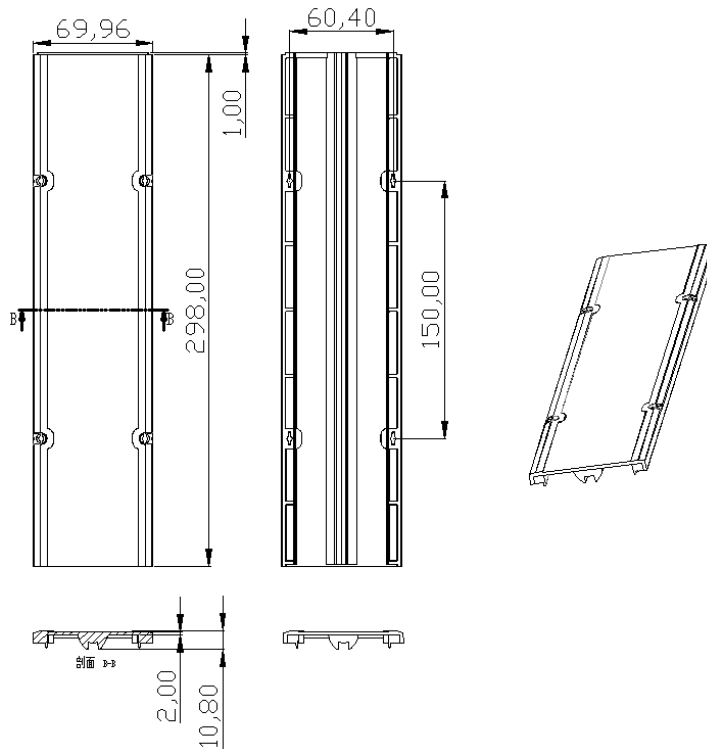
v1.0_20181112

1. Fixing method

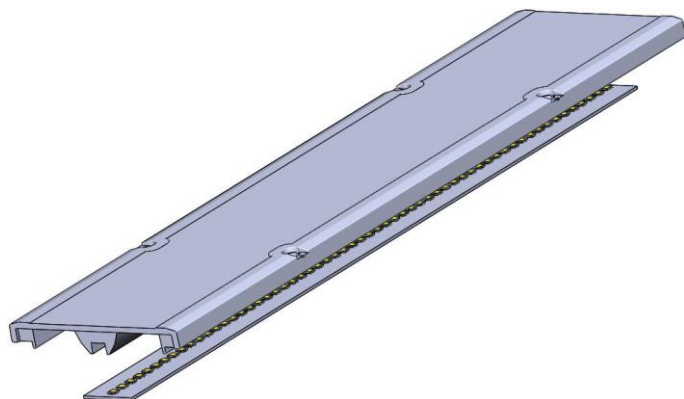
Note: (1) All dimensions are in mm.
(2) All measurements are $\pm 0.15\text{mm}$ unless otherwise indicated.

- Glue
 Screw
 Tape
 Fixing-ring
 Frame

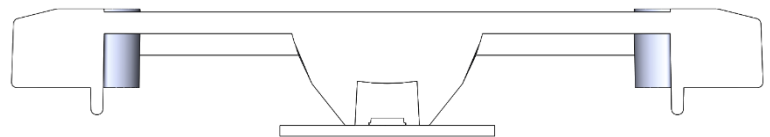
2. Lens dimension



3. Assembly instruction



4. View assembly lens with MCPCB

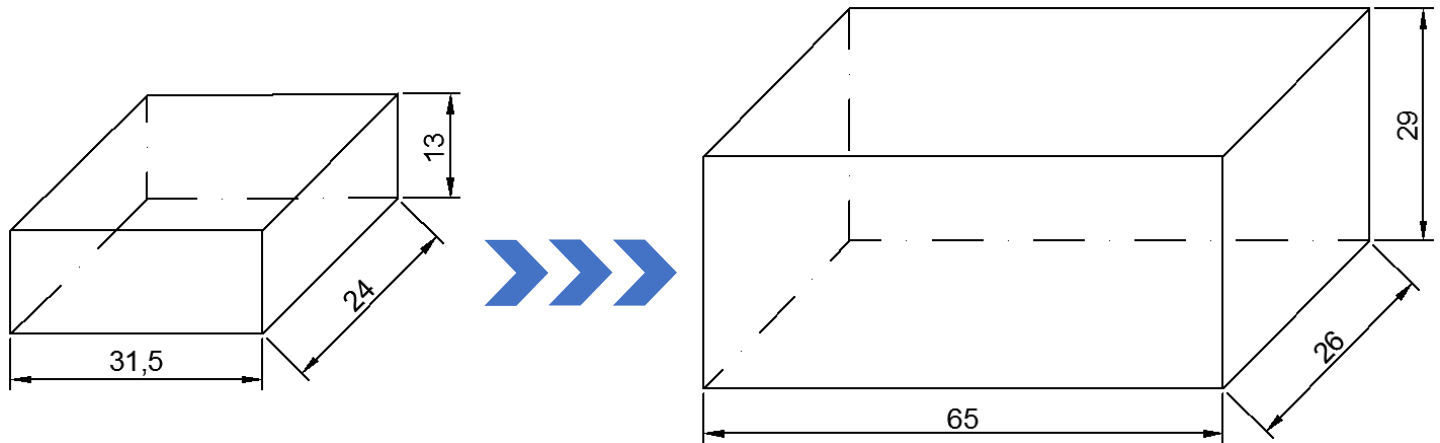


HH-110-xx-SS2835

Package Specifications

v1.0_20181112

| Item | Quantity | Total | Size(L*W*H) | G.W |
|-------------|-------------------------|---------|--------------|-----|
| plastic box | - | 30 PCS | 31.5*24*13cm | |
| outer box | 4 plastic box/outer box | 120 PCS | 65*26*29cm | |



Note:

