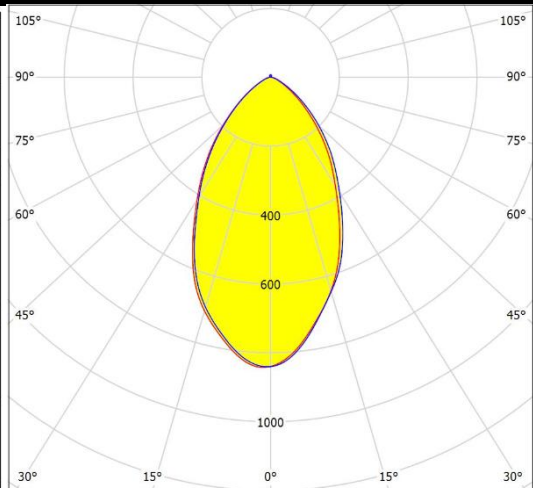
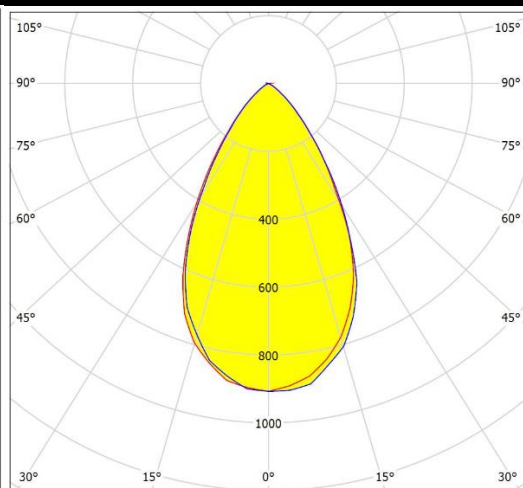
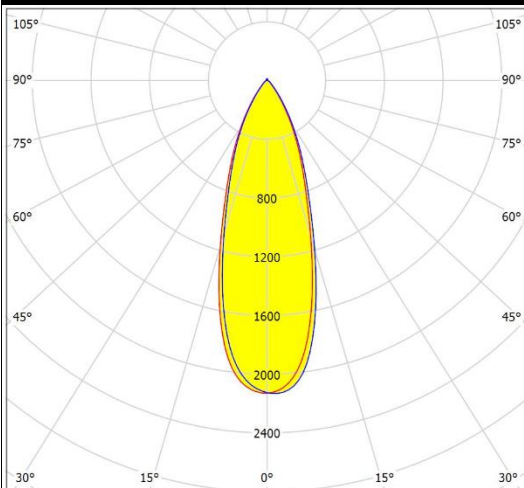
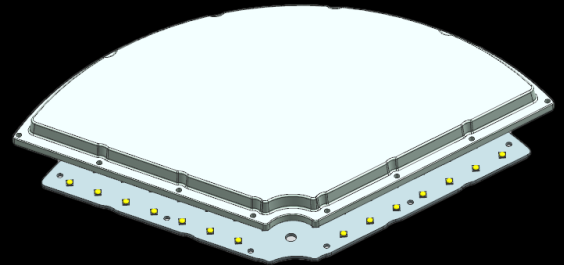
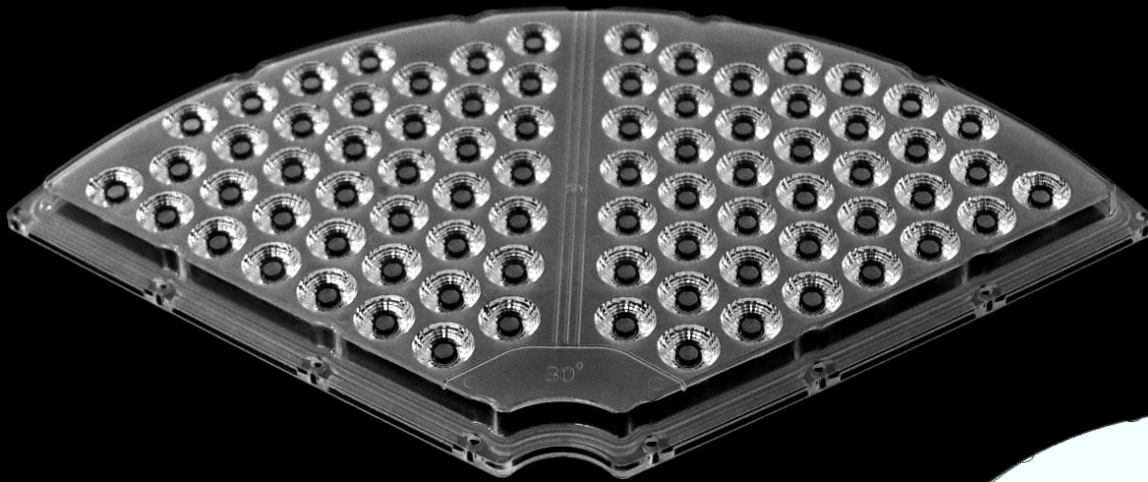


Data Sheet

HH-376-78×1-xx-OS3737



深圳市汉辉光电有限公司
shenzhen hanhui photoelectric co., Ltd.

地址：深圳市宝安区石岩街道石龙仔社区恒昌荣高科技科技园3栋3楼
ADD: Area A No.3 Building 3th Floor, Hengchang Rong Industrial
park shiyan, shilong community, Bao'an District, shenzhen, china
TEL: 86-755-29232420 FAX: 86-755-83723765
<http://www.szhanhui.com> <http://linsen4880.1688.com>



Data Sheet

catalogue

General Information	P.1
Optical Specifications	P.2
Mechanical Specifications	P.3
Package Specifications	P.4

*Product Nomenclature

HH-376-78 × 1-xx-OS3737

H1 H2 H3 H4 H5 H6 H7

H1: The company's initials in Pinyin (Han Hui)

H2: Mold number

H3: Lens quantity

H4: The number of lamp beads inside each optical surface

H5: Lens angle/type (ex: 60、90、T2M、T3M)

H6: LED type (ex: CREE-CR、SAMSUNG-SS、PHILIPS-PH.....)

H7: LED size (ex:2835、3030、3535、.....)



HH-376-78×1-xx-OS3737**General Information**

v1.0_20181107

◆ Features & Typical Applications

- Available with 3 beam angles
- High efficiency
- optimized Uniformity
- Lens without Holder
- Flood Light
- Court Lamp

◆ Material Information

Lens Material: PC 1225Z

Operating Temperature range $-40^{\circ}\text{C} \sim +110^{\circ}\text{C}$ (upper limit $+120^{\circ}\text{C}$).

Storage Temperature range $-40^{\circ}\text{C} \sim +110^{\circ}\text{C}$ (upper limit $+120^{\circ}\text{C}$).

*Average transmittance in visible spectrum $400\text{nm} \sim 700\text{nm} > 90\%$.

◆ Usage and Maintenance

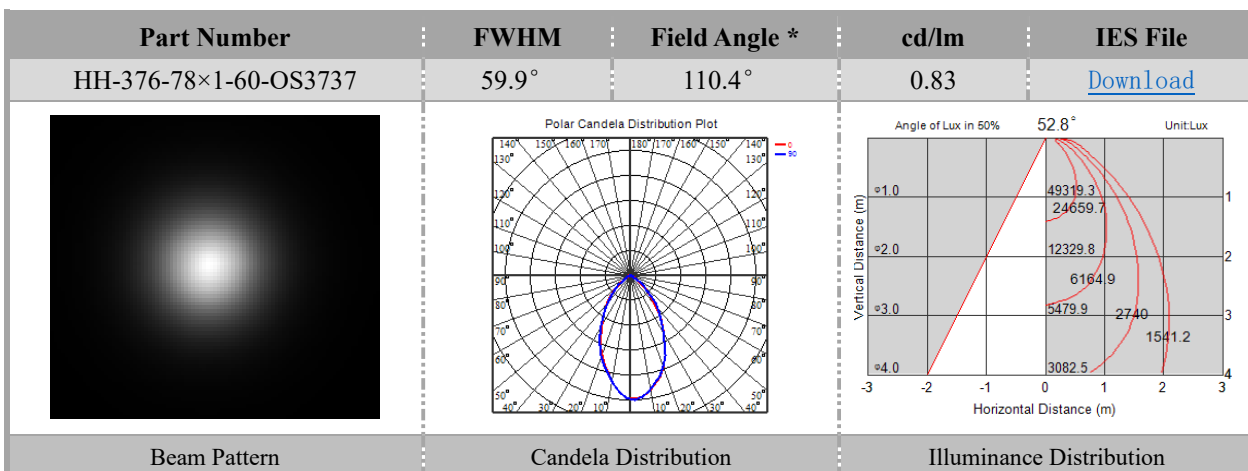
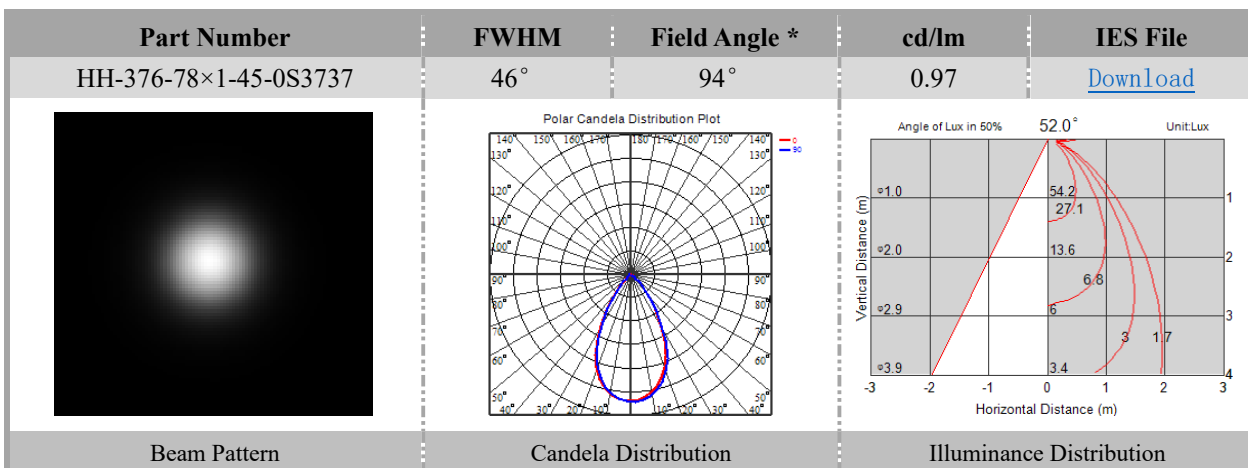
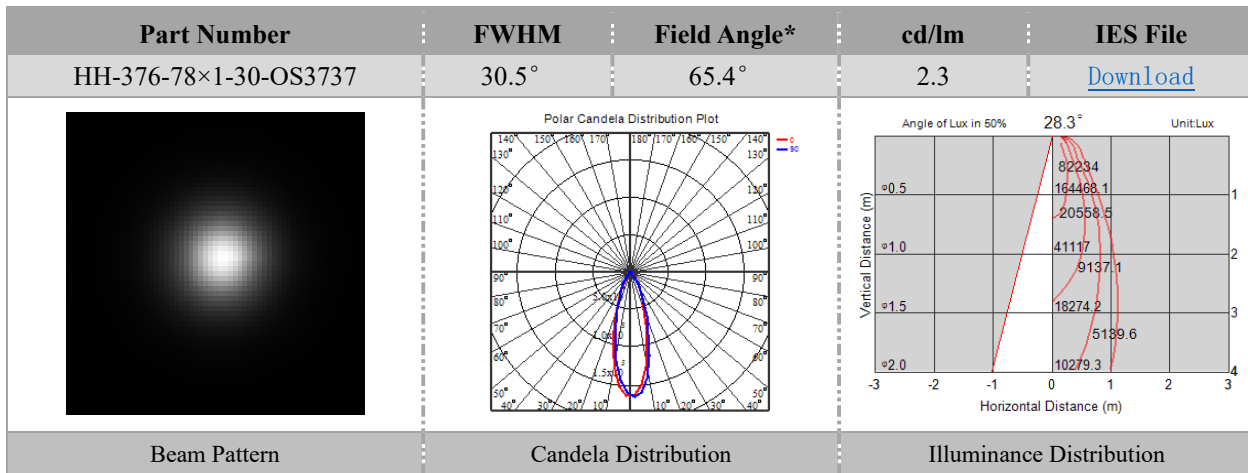
1. If necessary, clean lenses with mild soap, water and soft cloth.
2. Never use any commercial cleaning solvents on lenses, like alcohol.
3. Please handle or install lenses with wearing gloves, skin oils may damage lens or its optical characteristic.



HH-376-78×1-xx-OS3737

Optical Specifications

v1.0_20181107



HH-376-78×1-xx-OS3737

Mechanical Specification

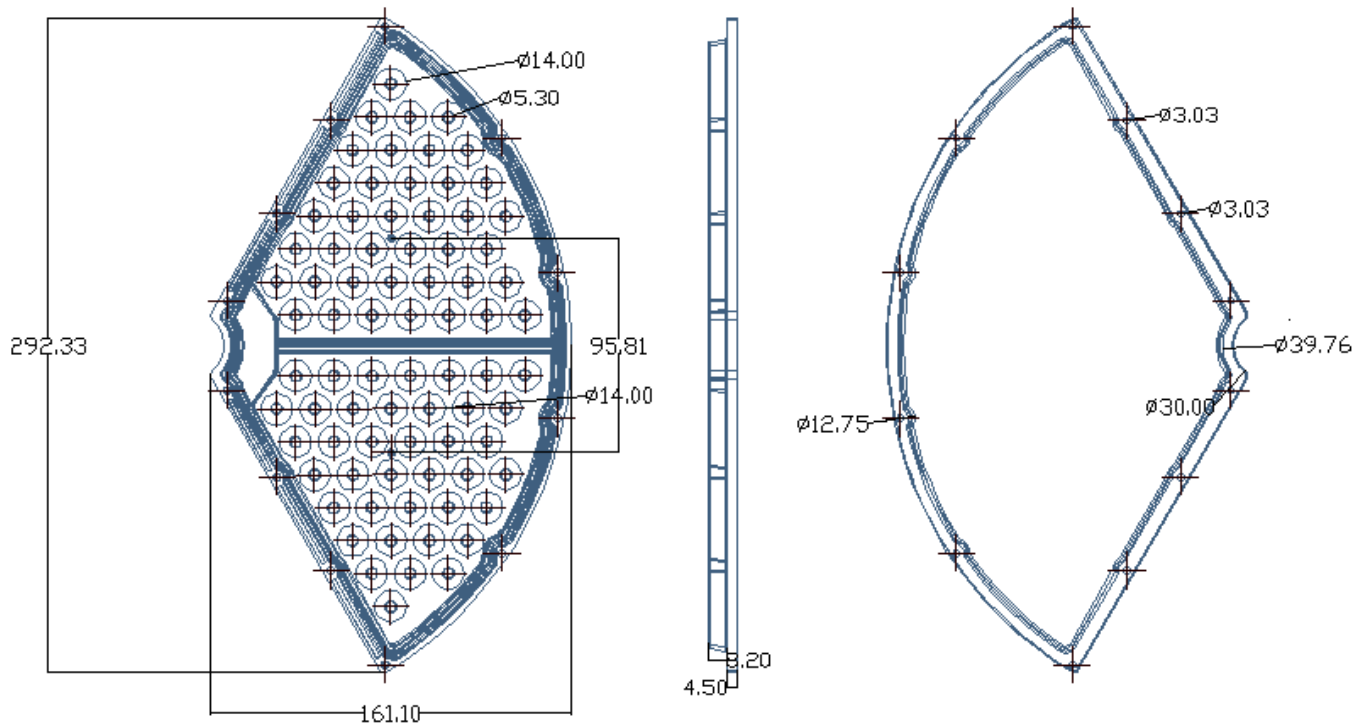
v1.0_20181107

Note: (1) All dimensions are in mm.
(2) All measurements are $\pm 0.15\text{mm}$ unless otherwise indicated.

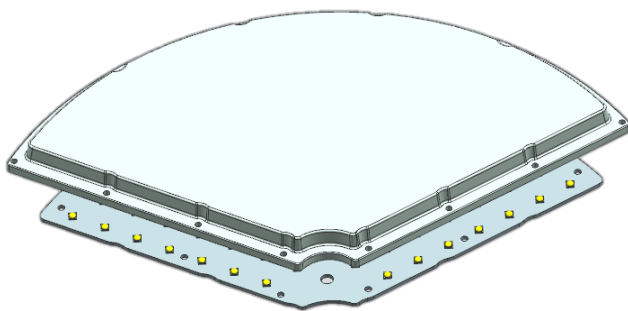
1. Fixing method

Glue Glue Tape Fixing-ring Frame

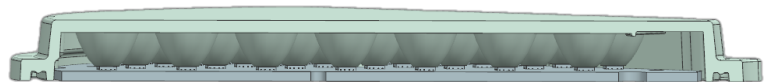
2. Lens dimension



3. Assembly instruction



4. View assembly lens with MCPCB



HH-376-78×1-xx-OS3737

Package Specifications

v1.0_20181107

Item	Quantity	Total	Size(L*W*H)	G.W
plastic box				
outer box				



Note:

